



LOCATION		DATE
PREPARED BY		QUANTITY
COMMENTS		FIXTURE TYPE
CATALOG NUMBER		

Stratford LED Outdoor Sconce SATW Series

Features

Modern Outdoor LED wall lantern with clear crackle glass. Dusk-to-Dawn Photocell tuns light on at night and off in the morning. The lantern mounts to a standard junction box (not included).

Construction

All aluminum die-cast housing. Power supply connections must be made inside a junction box (not included).

Finish

Black powder coat finish.

Diffuser

Clear blown glass diffuser features a crackle pattern for an attractive light dispersion.

Electrical

Input 120 VAC / 60 HZ .09A
Photocell control light operation switching on at dusk and shut off at dawn.
Not compatible with dimmers.
Minimum starting temp -4° F/-20° C

LED

Integrated LED module capable of producing:
11W = 1100 source lumens, 725 delivered lumens
3000K (CCT). Rated for 50,000 Hrs. 90 CRI.

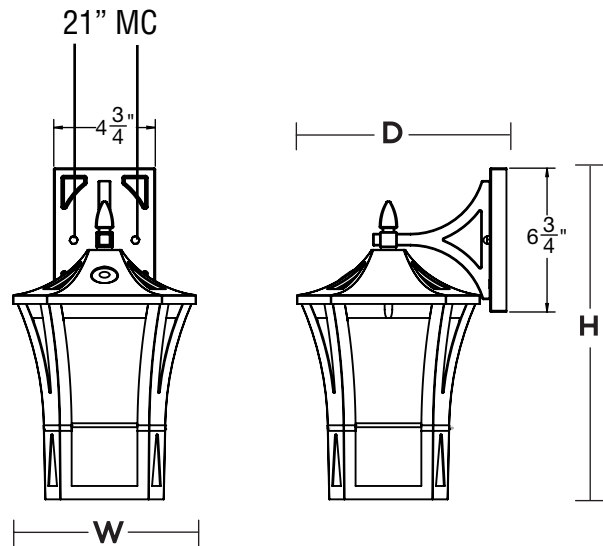
Certification

All fixtures are cETLus listed for wet locations.
Title 24/JA8 Compliant

Warranty

Limited warranty: This fixture is free from defects in materials and workmanship for a period of 5 years from date of purchase.

**Specifications and dimensions
subject to change without notice.**



Ordering Information:

Black	LED	Source Lumens	Delivered Lumens	CCT	H	W	D
SATW091508L30ENBK	11W	1100	725	3000K	15-1/4"	8-1/2"	9-3/4"